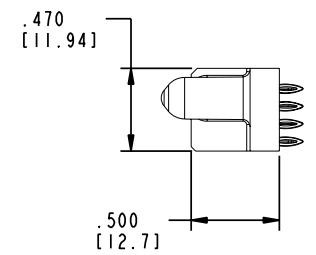
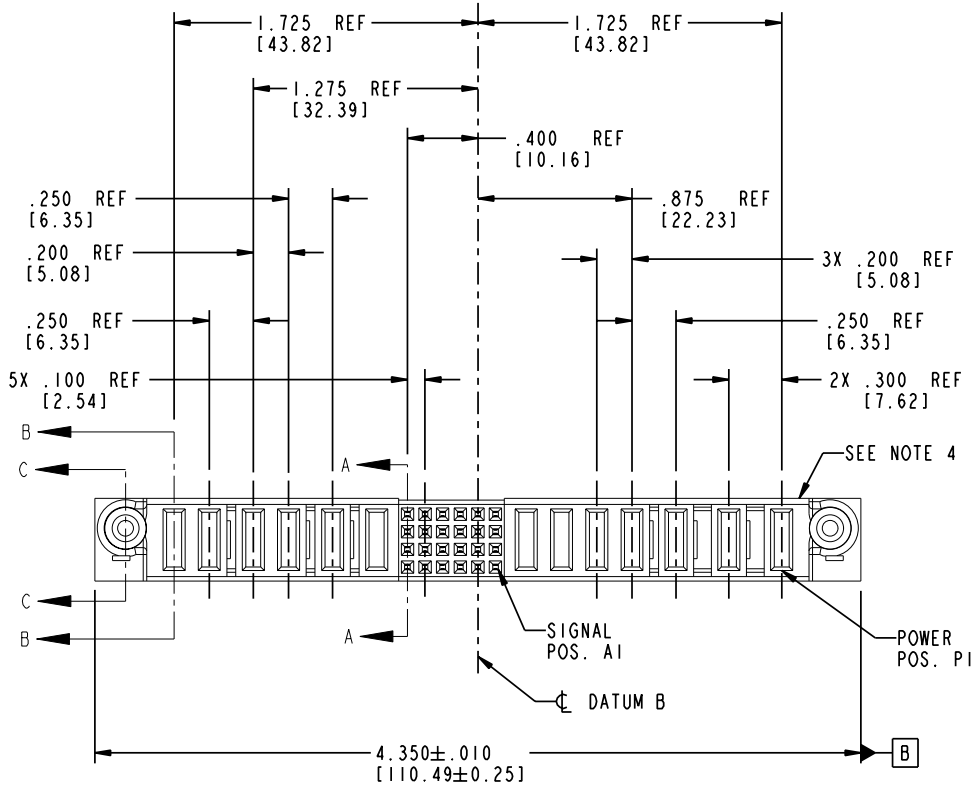


Tous droits strictement réservés. Reproduction ou communication a des tiers interdite sous quelque forme que ce soit sans autorisation écrite du propriétaire. Propriété de c FCI. Droits de reproduction FCI.

All rights strictly reserved. Reproduction or issue to third parties in any form whatever is not permitted without written authority from the proprietor. Property of FCI. Copyright FCI.

PRODUCT NO.	ROWS	POWER					SIGNAL					POWER					E1					
		E2	P13	P12	P11	P10	P9	P8	6	5	4	3	2	1	P7	P6		P5	P4	P3	P2	P1
51868-002-- NOTE: ③	D C B A		PC	PC	PC	PC	PC	PC	F	F	F	F	F	F	PC	PC	PC	PC	PC	PF	PF	



CODE	DIM "M" MATING LENGTH	CONTACT TYPE
F	N/A [N/A]	SIGNAL
PC	.042 [1.07]	POWER
PF	.092 [2.34]	POWER

mat'l code				SEE NOTE 2		tolerances unless otherwise specified		CUSTOMER		 www.fciconnect.com	
ltr	ecn no.	dr	date	linear	linear	.XX±.01/0.X±0.3		COPY		title	
A	V21416	CGD	09/03/02	angles	linear	.XXX±.005/0.XX±0.13		projection		3ACP + 4P + 24S + 6P	
B	DG05-0206	SJ	07/05/05	dr	linear	.XXX±.0020/0.XX±0.051		INCH/MM		VERTICAL PRESS FIT RECEIPT	
				enr	dr	0°±2°		scale		product family	
				chr	dr	C. DAILY 09/03/02		1:1		PwrBlade	
				appd	enr	M. MOSTOLLER 09/03/02		size		code	
					chr	M. MOSTOLLER 09/03/02		A		213	
sheet index	revision	B	B	B	appd	M. MOSTOLLER 09/03/02		dwg no		sheet	
	sheet	1	2	3				51868-002		1 of 4	

cage code 22526

Pro/E

PDM: Rev:B

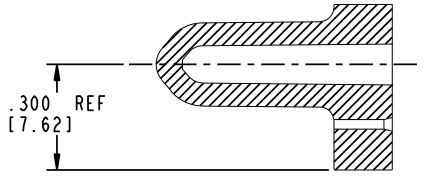
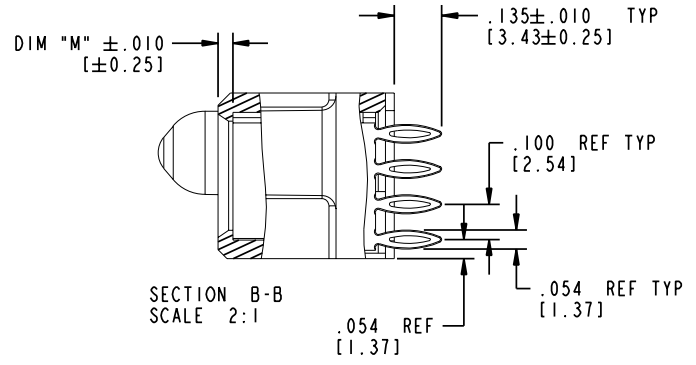
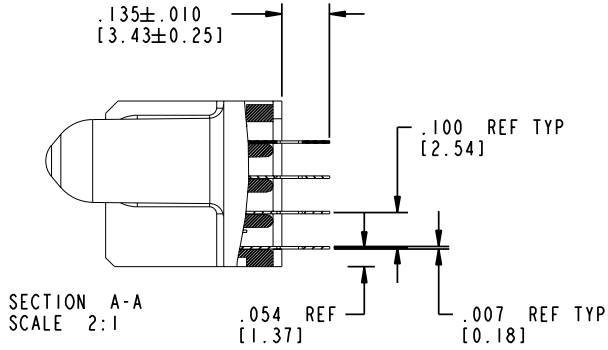
STATUS: Released

Printed: Aug 14, 2007

Tous droits strictement réservés. Reproduction ou communication a des tiers interdite sous quelque forme que ce soit sans autorisation écrite du propriétaire. Propriété de c FCI. Droits de reproduction FCI.

All rights strictly reserved. Reproduction or issue to third parties in any form whatever is not permitted without written authority from the proprietor. Property of FCI. Copyright FCI.

PRODUCT NUMBER
51868-002..
 NOTE: ③



mat'l code		SEE NOTE 2		tolerances unless otherwise specified		CUSTOMER		 www.fciconnect.com	
ltr	ecn no.	dr	date	linear	.XX±.01/0.X±0.3	COPY		projection	title
B				angles	.XXX±.005/0.XX±0.13	INCH/MM			3ACP + 4P + 24S + 6P VERTICAL PRESS FIT RECEP
				dr	.XXX±.0020/0.XXX±0.051	scale		product family	code
				engr	0°±2°	1:1		PwrBlade	213
				chr	C. DAILY 09/03/02			size	sheet
				appd	M. MOSTOLLER 09/03/02			A	2 of 4
					M. MOSTOLLER 09/03/02			dwg no	
sheet index	revision sheet							51868-002	

cage code **22526**

Pro/E

PDM: Rev:B

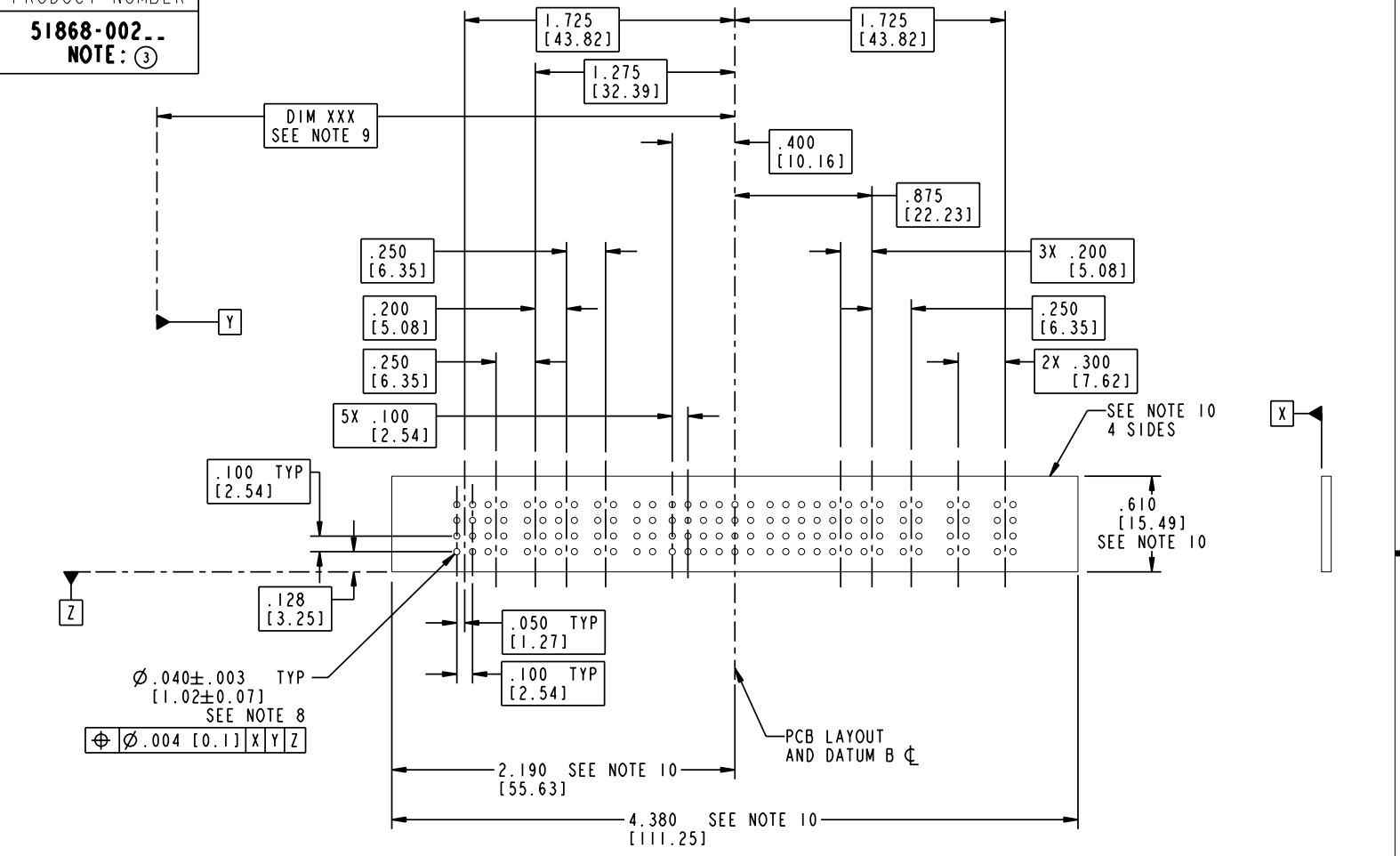
STATUS: Released

Printed: Aug 14, 2007

Tous droits strictement réservés. Reproduction ou communication a des tiers interdite sous quelque forme que ce soit sans autorisation écrite du propriétaire. Propriété de c FCI. Droits de reproduction FCI.

All rights strictly reserved. Reproduction or issue to third parties in any form whatever is not permitted without written authority from the proprietor. Property of FCI. Copyright FCI.

PRODUCT NUMBER
51868-002_..
 NOTE: ③



$\varnothing .040 \pm .003$ TYP
 [1.02 ± 0.07]
 SEE NOTE 8
 ⊕ $\varnothing .004$ [0.1] X | Y | Z

mat'l code		SEE NOTE 2		tolerances unless otherwise specified		CUSTOMER		 www.fciconnect.com	
ltr	ecn no.	dr	date	linear	.XX±.01/0.X±0.3	COPY		projection	title
B					.XXX±.005/0.XX±0.13				3ACP + 4P + 24S + 6P
				angles	.XXX±.0020/0.XX±0.051				VERTICAL PRESS FIT RECEP
				dr	0° ± 2°				product family
				enr	C. DAILY 09/03/02	INCH/MM			PwrBlade
				chr	M. MOSTOLLER 09/03/02	scale		size	code
				appd	M. MOSTOLLER 09/03/02	1:1		A	213
sheet index	revision sheet							dwg no	sheet
								51868-002	3 of 4

cage code **22526**

Pro/E

PDM: Rev:B

STATUS: Released

Printed: Aug 14, 2007

Tous droits strictement réservés. Reproduction ou communication à des tiers interdite sous quelque forme que ce soit sans autorisation écrite du propriétaire. Propriété de c FCI. Droits de reproduction FCI.

A
FCI

All rights strictly reserved. Reproduction or issue to third parties in any form whatever is not permitted without written authority from the proprietor. Property of FCI. Copyright FCI.

B

PRODUCT NUMBER
51868-002_
NOTE: ③

NOTES:

1. DIMENSIONS AND TOLERANCES ARE IN ACCORDANCE WITH ASME Y14.5M, 1994 UNLESS OTHERWISE SPECIFIED.

CONNECTOR NOTES:

② HOUSING MATERIAL: UL 94 V-0 GLASS FILLED

HIGH-TEMP THERMOPLASTIC
POWER CONTACT MATERIAL: COPPER ALLOY
SIGNAL PIN MATERIAL: COPPER ALLOY

3. PLATING:

51868-002 Singal Pin:30u"/0.76um Au OVER 50u"/1.27um Ni ON THE CONTACT AREA,
AND 100u"/2.54um SnPb PLATING OVER 50u"/1.27um Ni ON THE TERMINATION SECTION.
Power Pin:30u"/0.76um Au OVER 50u"/1.27um Ni ON THE CONTACT AREA,
AND 100u"/2.54um SnPb PLATING OVER 50u"/1.27um Ni ON THE TERMINATION SECTION.

51868-002LF Singal Pin:30u"/0.76um Au OVER 50u"/1.27um Ni ON THE CONTACT AREA,
AND 78u"/2.00um Sn PLATING OVER 50u"/1.27um Ni ON THE TERMINATION SECTION.
Power Pin:30u"/0.76um Au OVER 50u"/1.27um Ni ON THE CONTACT AREA,
AND 78u"/2.00um Sn PLATING OVER 50u"/1.27um Ni ON THE TERMINATION SECTION.

PART NUMBER 51868-002LF MEETS EUROPEAN UNION DIRECTIVE AND OTHER COUNTRY REGULATIONS AS DESCRIBED IN GS-22-008.

THE HOUSING WILL WITHSTAND EXPOSURE TO 260° PEAK TEMPERATURE FOR 10 SECONDS IN A WAVE SOLDER APPLICATION WITH A CIRCUIT BOARD.

④ MANUFACTURER'S NAME, P/N, AND DATE CODE TO APPEAR ON THIS SURFACE.

5. PRODUCT SPECIFICATION GS-12-149.
APPLICATION SPECIFICATION BUS-20-067.

PCB NOTES:

6. ALL HOLE DIAMETERS ARE FINISHED HOLE SIZE.
7. MOUNTING HOLES, WHERE APPLICABLE, ARE UNPLATED.

⑧ $\varnothing .0453 \pm .0010$ [1.151 ± 0.025] DRILLED HOLES PLATED WITH
.0003 [0.008] MIN SnPb OVER .001 [0.03]
TO .003 [0.08] Cu PLATING TO ACHIEVE
 $\varnothing .040 \pm .003$ [1.02 ± .07] HOLE.

⑨ "DIM XXX" TO BE DETERMINED BY THE CUSTOMER.

⑩ CONNECTOR KEEP-OUT ZONE.

mat'l code		SEE NOTE 2		tolerances unless otherwise specified		CUSTOMER		A FCI www.fciconnect.com	
ltr	ecn no.	dr	date	linear	.XX±.01/0.X±0.3	COPY		projection	title
B					.XXX±.005/0.XX±0.13				3ACP + 4P + 24S + 6P VERTICAL PRESS FIT RECEP
				angles	.XXX±.0020/0.XX±0.051				product family
				dr	0° ± 2°				PwrBlade
				enfr	C. DAILY 09/03/02	INCH/MM		size	code
				chr	M. MOSTOLLER 09/03/02	scale		dwg no	213
				appd	M. MOSTOLLER 09/03/02	1:1		sheet	4 of 4
sheet index	revision sheet								

cage code **22526** 4

Pro/E

PDM: Rev:B

STATUS:Released

Printed: Aug 14, 2007